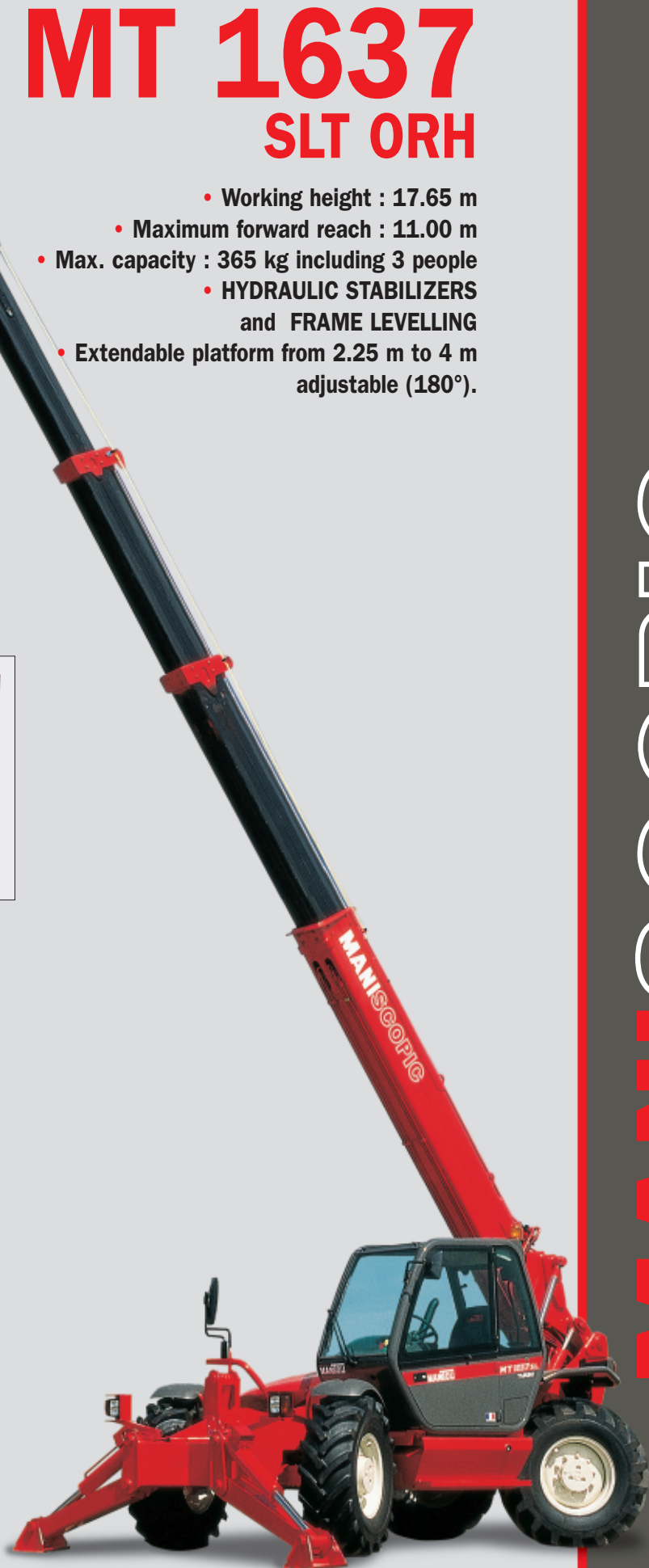
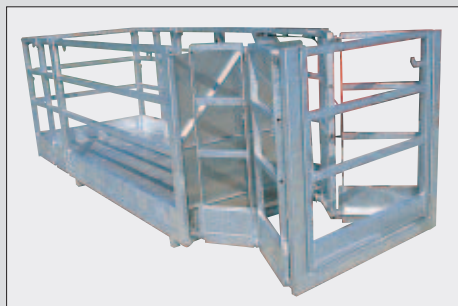


MT 1637

SLT ORH

- Working height : 17.65 m
- Maximum forward reach : 11.00 m
- Max. capacity : 365 kg including 3 people
- HYDRAULIC STABILIZERS and FRAME LEVELLING
- Extendable platform from 2.25 m to 4 m adjustable (180°).



MANITOU SCOPIC



«EC» type examination N° 0526 760A 4910 04 97



MT 1637 SLT ORH



Capacity :365 kg including 3 people
Working height :17.65 m
Basket floor height :15.65 m



Lifting :15.80 m
Times : unladen / loaded (in s)
 Lifting12/12.5
 Lowering8.5/8
 Extension 1st boom13.9/14.7
 Retraction 1st boom10.6/10.2
 Extension 2nd boom7.9/9.7
 Retraction 2nd boom7.1/7.2
 Extension 3th boom10.4/11.5
 Retraction 3th boom9.7/8.7



Tyres
 440/80-24 T37 158B



Equipment :
 Forks (mm)
 length1200
 width x thickness125 x 50
 Extendable platform from 2.25 to 4 m adjustable 180°



Multidisc brakes - hydraulically assisted on 4 wheels



PERKINS Engine
 Type1004.4 Turbo
 Capacity4 cyl. - 3990 cm³
 Power104 HP/76,5 kw
 (ISO/TR 14396) at 2200 rpm
 Maximum torque :394 Nm at 1400 rpm
 Direct Injection
 Water Cooling



TransmissionTorque convertor
 Electro-hydraulic reversing shift
 4 speeds forward and reverse
 Maximum travel speed25 km/h



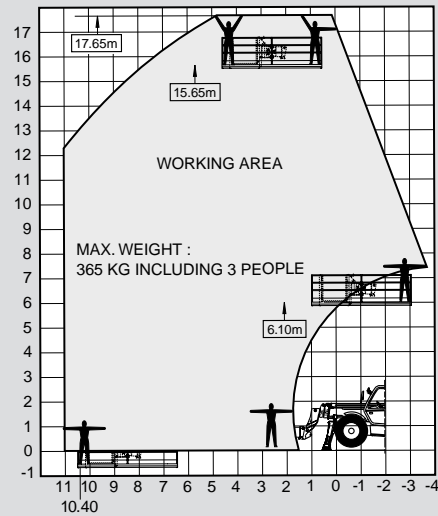
Hydraulics
 Lifting/tilting pump
 gear type:260 bar/196 l/mn
 Flow divider with priority to steering and brakes



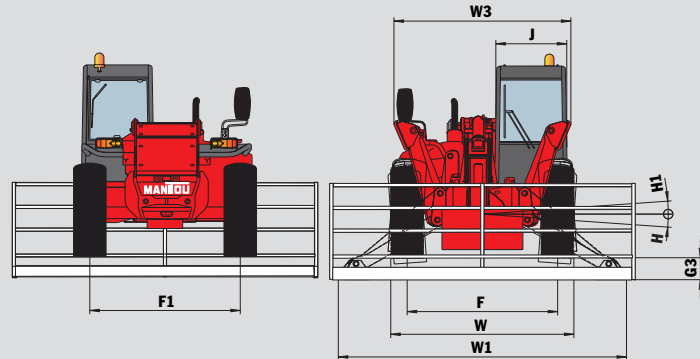
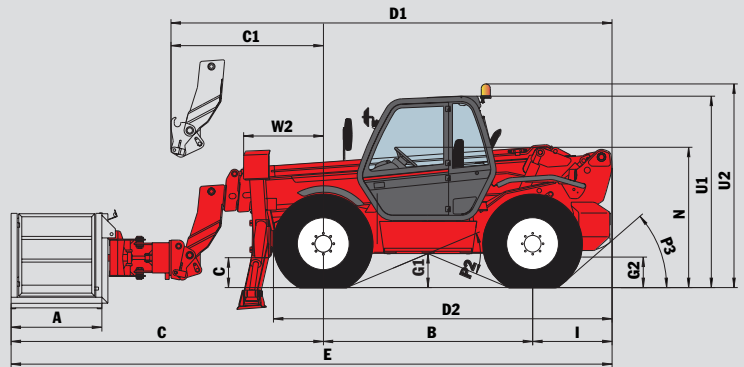
Capacities
 Cooling system26.5 l.
 Engine oil11 l.
 Hydraulic oil175 l.
 Transmission oil16 l.
 Fuel tank135 l.



Weight unladen (with platform)11300 kg
Overall width2.42 m
Overall height2.59 m
Turning radius (outside wheels)4.15 m
Overall length7.94 m
Ground clearance0.50 m
Drawbar pull9400 daN

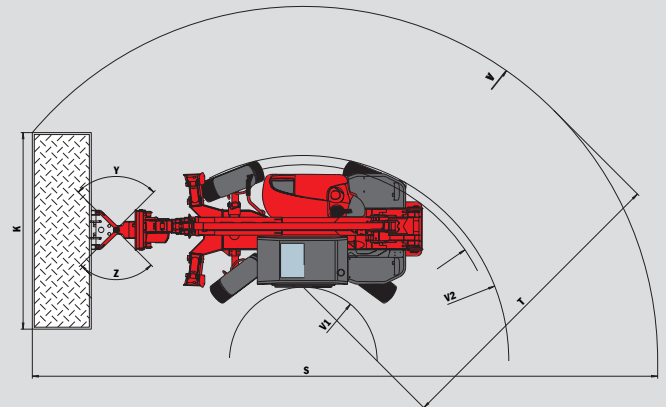


4M PLATFORM WITH HYDRAULIC ROTATION 180°
 Under pr En 280



A	1200
B	2770
C	4120
C1	2045
D1	5865
D2	4435
E	7940
F	1990
F1	1990
G	500
G1	495
G2	500
G3	290
H	4°
H1	4°
I	1050
J	950
K	4000
L	1250
N	1890 at 1940
P2	45,5°
P3	50°
R	3935
S	12855
T	6300
U1	2590
U2	2770
V	7350
V1	1470
V2	4150
W	2425
W1	3820
W2	1050
W3	2350
Y	90°
Z	90°

mm



This publication in no way constitutes an offer and the company reserves the right to alter specification without prior notice.
 The MANITOU models presented in this brochure can be supplied complete with optional equipment attachments
 PATENTS FR 93 14367 - EP 0 656 315 - US PENDING



MANITOU B.F. S.A.

B.P. 249 - 44158 ANCENIS CEDEX - FRANCE
 TEL : 33 2 40 09 10 11
 EXPORT DEPARTMENT FAX : 33 2 40 09 10 97
 www.manitou.fr

IN ACCORDANCE WITH

