

Key Specifications - Haulotte HM10P

Vertical Masts >

Vertical Mast >

HM10P Vertical Mast (Haulotte)

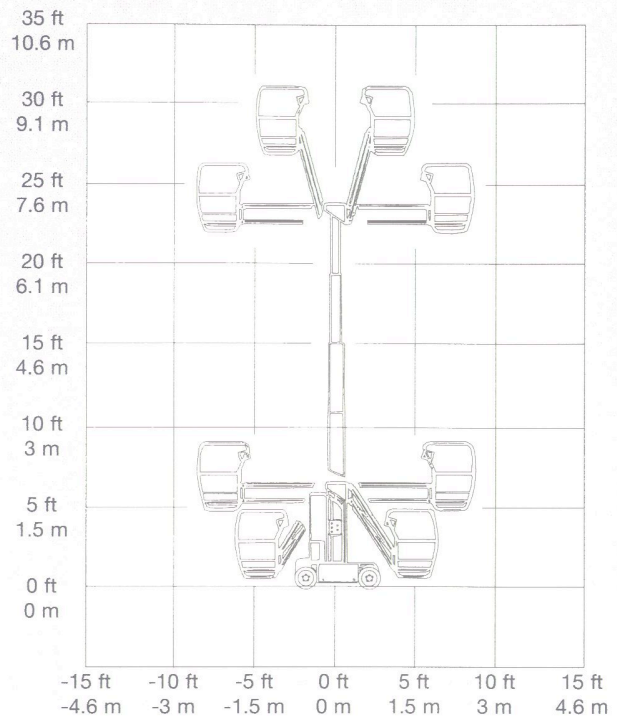
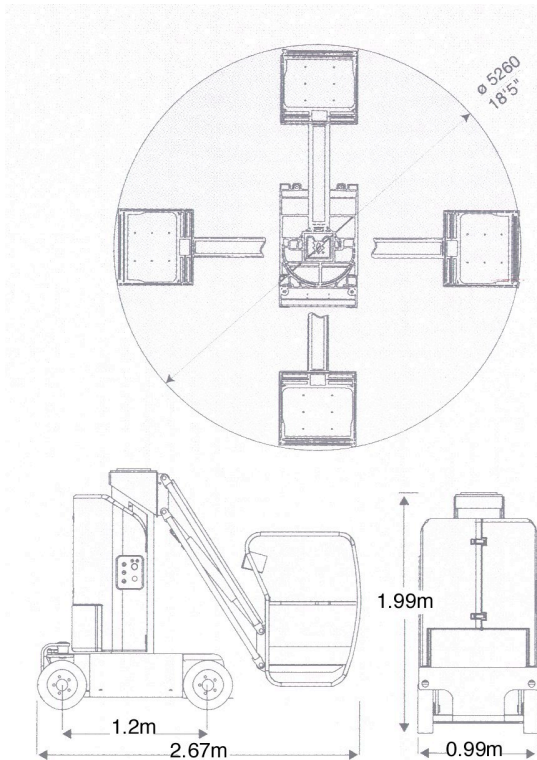
Exceptional access capability. Will drive to where no boom will fit and then reach out to where no scissor gets close.



Power: Electric Drive: 2WD

10.0 m	Working Height
8.0 m	Platform Height
230 kg	Capacity (SWL, Unrestricted)
2.67 m	Overall Length
0.99 m	Overall Width (Stowed)
1.99 m	Stowed Height (Maximum)
0.90 x 0.70 m	Platform Size
2470 kg	Weight
25.0 %	Gradeability
70 sec	Lift Speed
55 sec	Lower Speed
5.0 km/h	Travel Speed (Stowed)
1.65 m	Outside Turning Radius
360 °	Turret Rotation (Non-continuous)
0.10 m	Ground Clearance
1.00 km/h	Travel Speed (Elevated)
0.00 m	Tail Swing
1.20 m	Wheelbase
3.15 @ 6.50 m	Horizontal Reach (Centreline)

Vertical Masts



Vertical Masts